



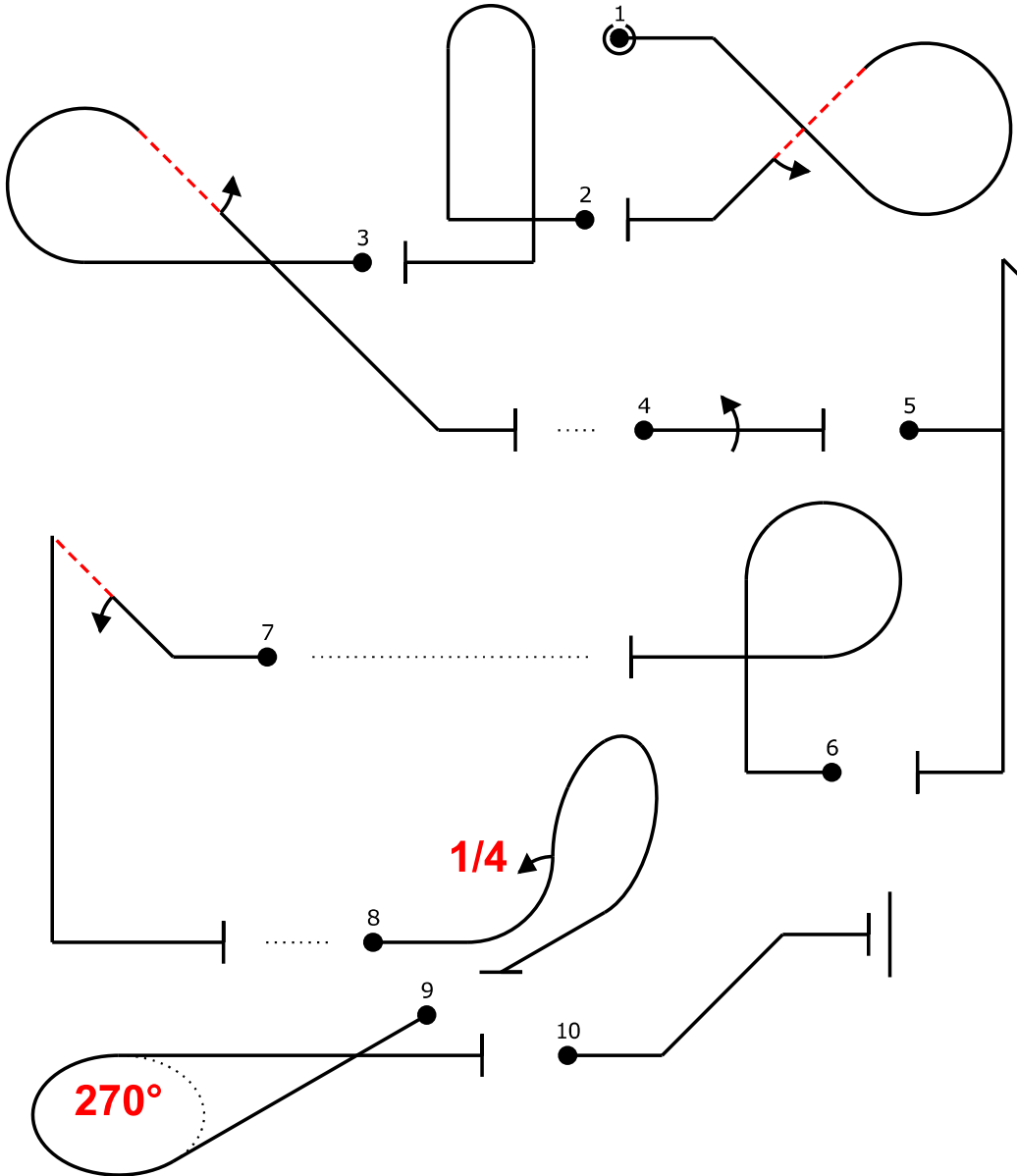
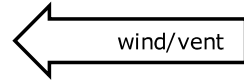
2015								Form A	
Pilot ID				Glider Intermediate Programme Default Free				Flight #	

No	Symbol	Cat. No.	K	Total K	Marks	Remarks	Pos	Item	K	Grade	
1		7.3.3.3 9.1.4.2	14 6	20				Pos.	15		
								Harm.	10		
2		8.4.1.1	13	13				Fig K	Total K		
								140	165		
3		8.5.6.1 9.1.4.2	10 6	16				Penalties			
								Too Low			
4		1.1.1.1 9.1.3.4	2 12	14				Disqual Fig			
								Too High			
5		5.2.1.1	17	17				Outs			
								Interruptions			
6		8.6.1.1	11	11				Insertions			
								Missed Slot			
7		1.2.3.1 9.1.2.2	12 9	21				Trg Violation			
								Faulty Wing Rocks			
8		0.1	16	16				Final Freestyle			
								Duration	Min	Sec	
9		2.3.1.1	5	5				Judges Details			
								Signature			
10		1.1.2.1	7	7				Name			
								Number			

_____ Pilot
 A/C

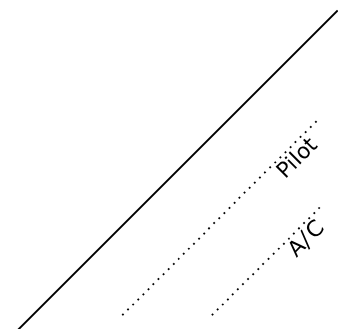


2015		Form B
Pilot ID	Glider Intermediate Programme Default Free	Flight #



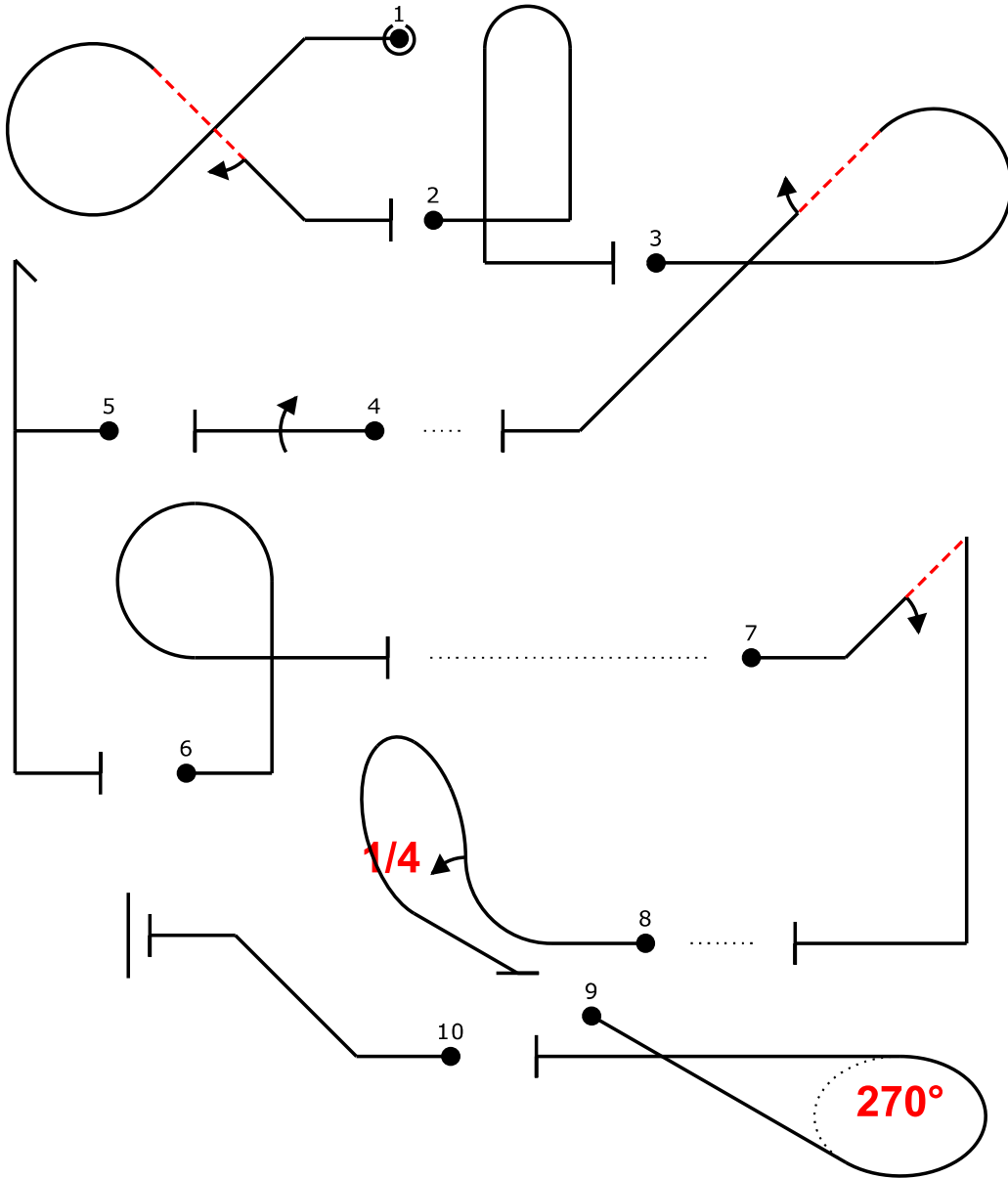
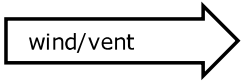
Glider			
Fig 1	7.3.3.3 9.1.4.2	14 6	20
Fig 2	8.4.1.1	13	13
Fig 3	8.5.6.1 9.1.4.2	10 6	16
Fig 4	1.1.1.1 9.1.3.4	2 12	14
Fig 5	5.2.1.1	17	17
Fig 6	8.6.1.1	11	11
Fig 7	1.2.3.1 9.1.2.2	12 9	21
Fig 8	0.1	16	16
Fig 9	2.3.1.1	5	5
Fig 10	1.1.2.1	7	7
Total K = 140			

ig`2'' b -1% c.2..' (2,0) 1 2> h... ' 2> -1% ''rp+~ (-13,0) 2t...''+~ (3,0) ``+oj+~ 2> ~++++3j++++~> 2> d





2015		Form C
Pilot ID	Glider Intermediate Programme Default Free	Flight #



Glider			
Fig 1	7.3.3.3 9.1.4.2	14 6	20
Fig 2	8.4.1.1	13	13
Fig 3	8.5.6.1 9.1.4.2	10 6	16
Fig 4	1.1.1.1 9.1.3.4	2 12	14
Fig 5	5.2.1.1	17	17
Fig 6	8.6.1.1	11	11
Fig 7	1.2.3.1 9.1.2.2	12 9	21
Fig 8	0.1	16	16
Fig 9	2.3.1.1	5	5
Fig 10	1.1.2.1	7	7
Total K = 140			

ig`2'' b -1% c.2..' (2,0) 1 2> h...' 2> -1% ''rp+~ (-13,0) 2t...' '+~ (3,0) ``+oj+~ 2> ~++++3j++++~> 2> d

